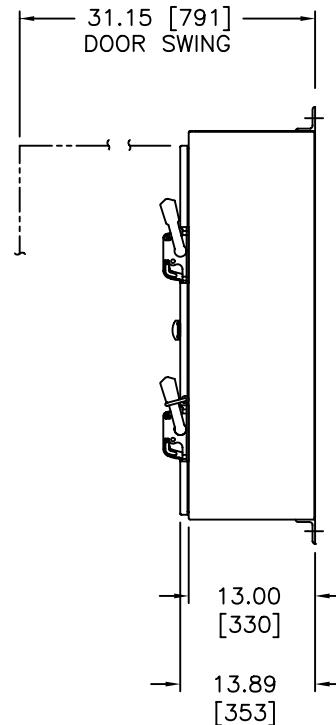
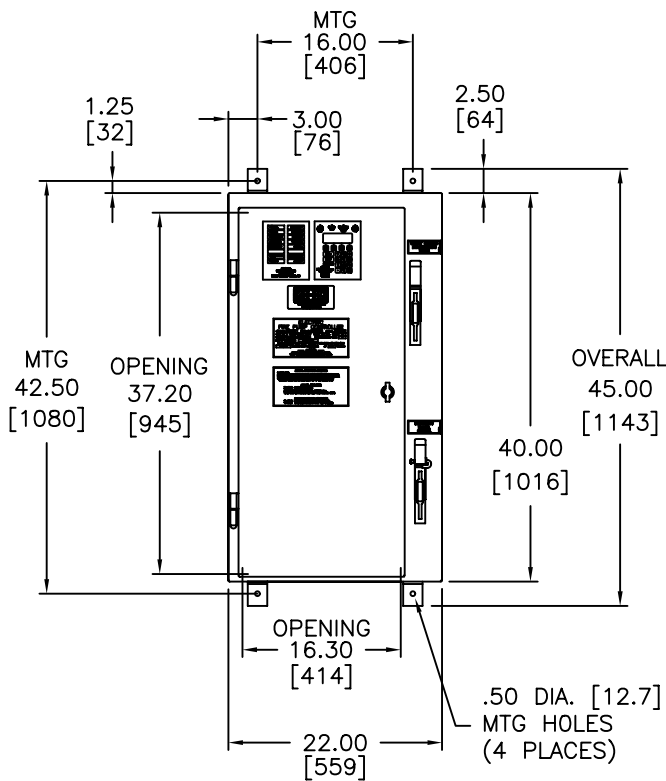
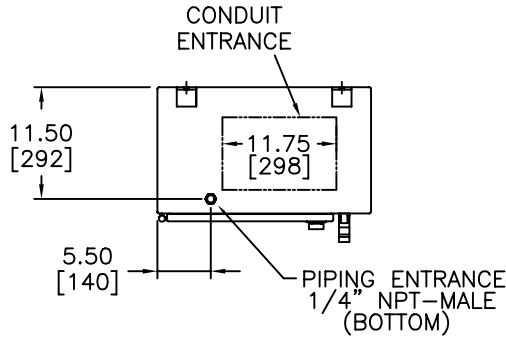
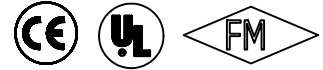


Dimensions and Data
For Full Service Fire Pump Controller
Part Winding Starter

LXi-1700

DIMENSIONS SUBJECT TO CHANGE WITHOUT NOTICE. ALWAYS CONSULT FACTORY TO CONFIRM CURRENT INFORMATION.



RATINGS	HP	VOLTS	WITHSTAND	ENCLOSURE TYPE
ORDER INFORMATION	15-30	200-208V.	100,000 A (STD)	NEMA 2 (STD.)
	15-40	220-240V.	150,000 A	NEMA 3R
	15-60	380-415V.		NEMA 12
	15-75	440-480V.	200,000 A	NEMA 4 (NOT SHOWN *)
	15-100	550-600V.		NEMA 4X (NOT SHOWN *)
SELECT	HP	VOLTS	WITHSTAND	ENCLOSURE TYPE
	<input type="text"/>	<input type="text"/>	<input type="text"/>	<input type="text"/>

NOTES:

- ENCLOSURE MADE FROM 14 GA. STEEL
- FINISH: RED EPOXY-POLYESTER
- NO KNOCKOUTS
- BOTTOM CONDUIT ENTRY
- PROTECT INTERNAL EQUIPMENT FROM DRILLING CHIPS
- WALL MOUNTING
- "[]" INDICATES METRIC (mm) DIMENSIONS
- *-SAME OUTSIDE DIMENSIONS



HUBBELL / INDUSTRIAL CONTROLS, INC.
 4301 Cheyenne Drive, Archdale, N.C. 27263

DATE: 12/05/2003	REV. -
DRAWING NUMBER: 17DE0011	